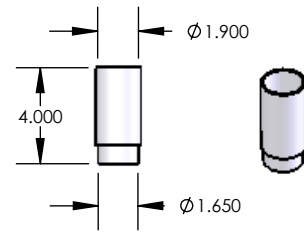
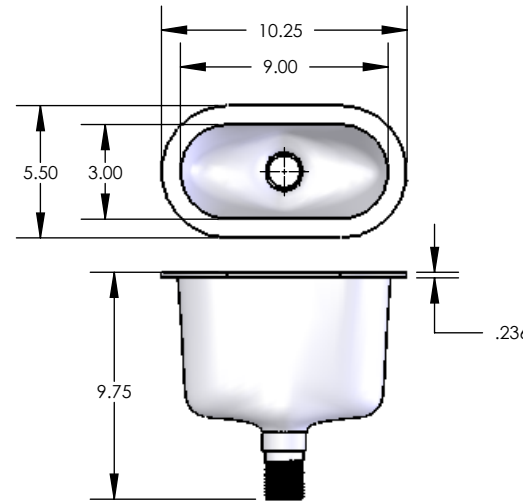


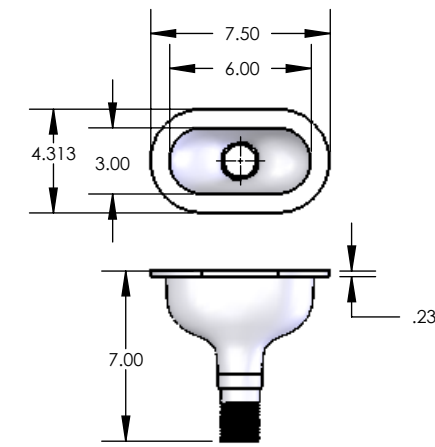
SINK	DIM "A"	DIM "B"	DIM "C"	DIM "D"	DIM "E"	DIM "F"	DIM "G"	DIM "H"
LL1713SINK-B	17.31	13.37	15.15	11.25	11.00	15.40	.25	1.25
LL2218SINK-B	21.65	17.70	18.90	14.95	12.20	16.56	.28	1.56
LL3218SINK-B	31.50	18.10	28.81	15.37	12.60	16.95	.31	1.56



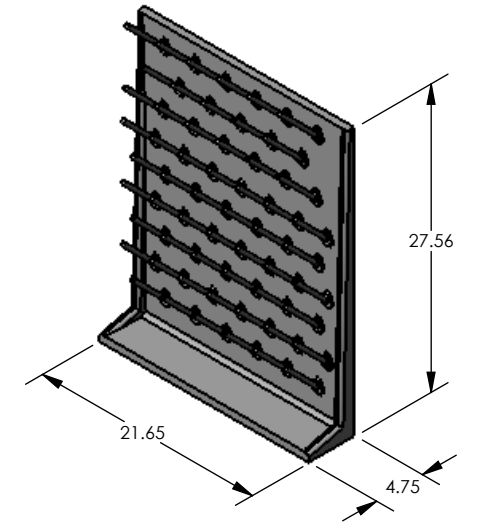
4" SINK OVERFLOW
PART #: LLOVERFLOWPP-B



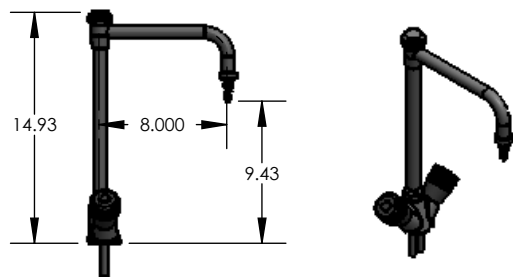
3 x 9 CUPSINK
PART #: LL0903CS-B



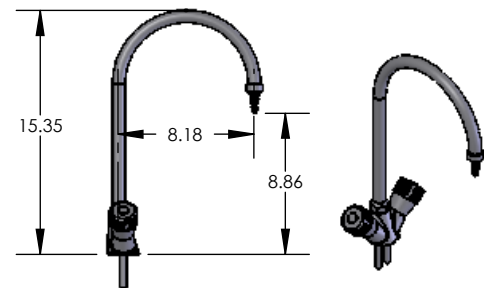
3 x 6 CUPSINK
PART #: LL0603CS-B



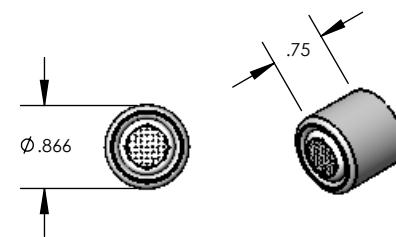
POLYPROPYLENE PEGBOARD 22X28
PART #: LL2228PB-PPG



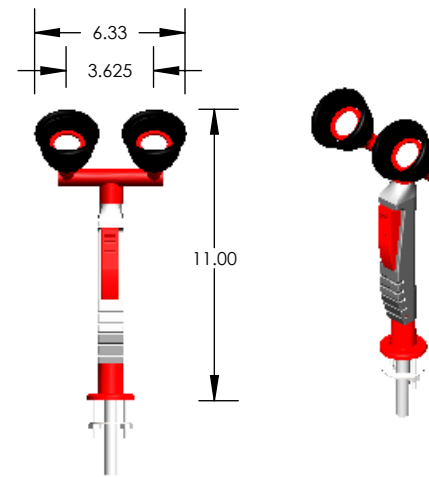
HOT/COLD MIXING FAUCET
W/ VACUUM BREAKER
PART #: LL21406EVB-HC



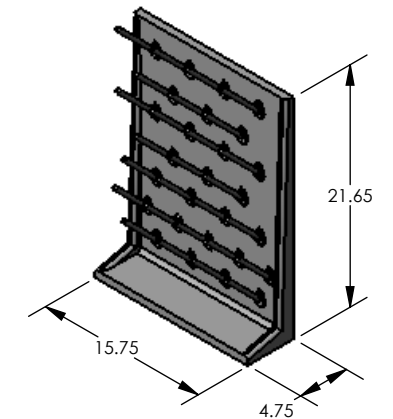
HOT/COLD MIXING FAUCET
PART #: LL21401E-HC



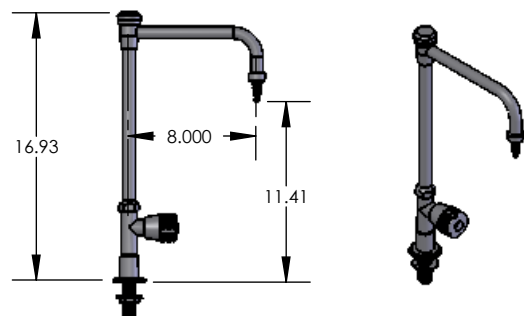
AERATION NOZZEL
PART #: LLAERATION



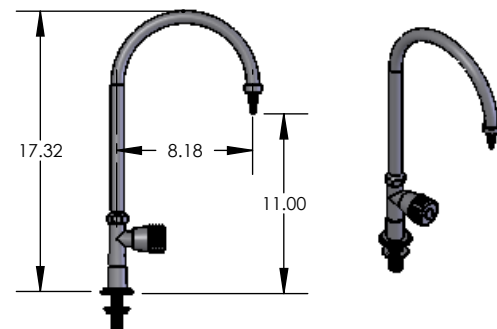
DECK MOUNTED HAND HELD EYEWASH
PART #: LL7201EW



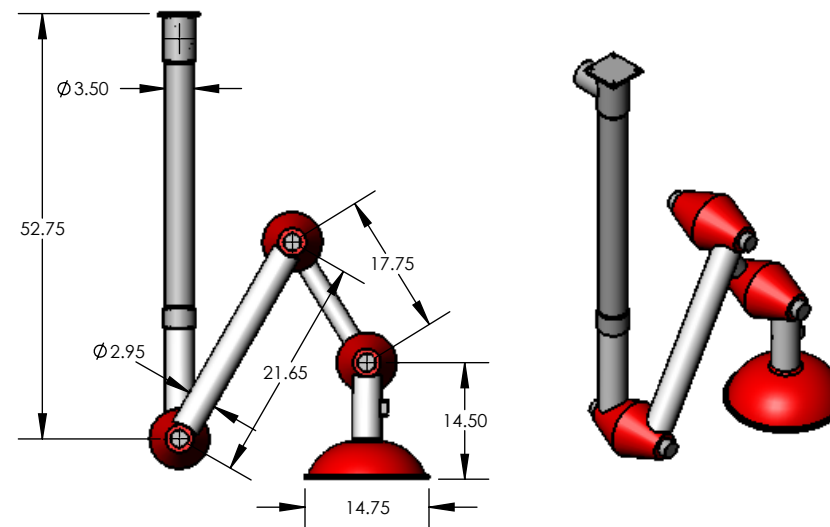
POLYPROPYLENE PEGBOARD 16X22
PART #: LL1622PB-PPG



COLD WATER FAUCET
W/ VACUUM BREAKER
PART #: LL21105EVB-HC



COLD WATER FAUCET
PART #: LL21102E-CW



FUME EXTRACTOR
PART #: LL6103MFE-PP



LOOPED LOGIC
LABORATORY FURNITURE

TITLE:
ACCESSORIES CUT SHEET

DRAWN BY: JDG DATE 2/18/09